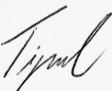
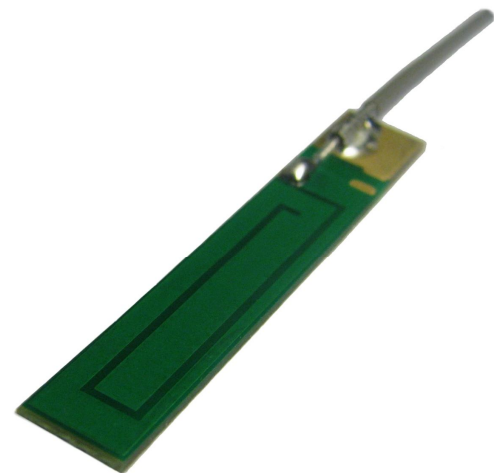




2J0X5 (DATASHEET)

Type	Dual-band antenna
Frequencies	GSM (900 MHz) DCS (1800 MHz)
Mounting	Embedded
Revision	01



P. Tipul



D. Noble

1. SPECIFICATION

1.1. Electrical Specifications

Frequencies	GSM (900 MHz) DCS (1800 MHz)
Impedance	50 Ohms
Polarization	Linear
Gain	0 dBi
VSWR	<2:1
Power handling	25W
Operating temperature	-40°C to +85°C

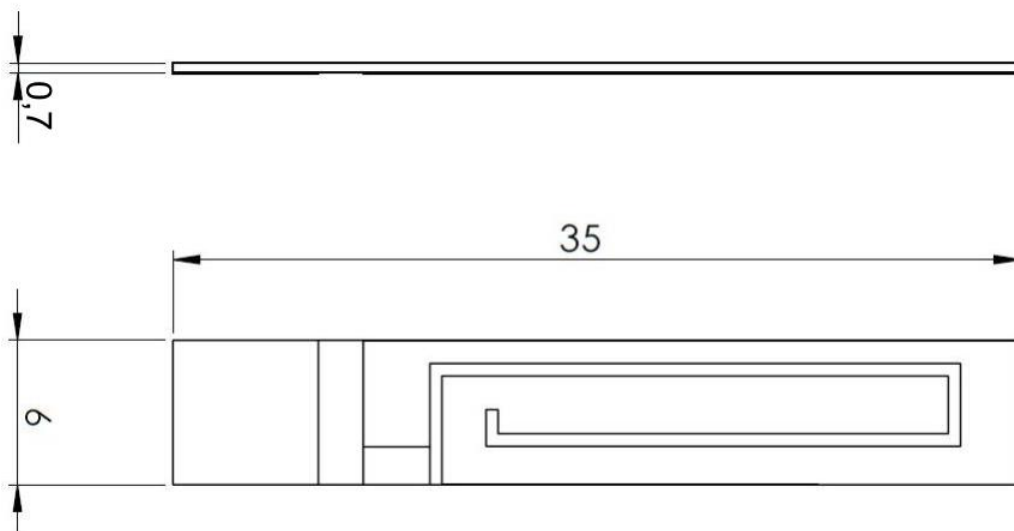
1.2. Connection Specifications

Connector type:	U.FL
Cable:	Microcoax 1,13mm
Cable length:	30 cm

For different cable length and connector type ask our sales team.

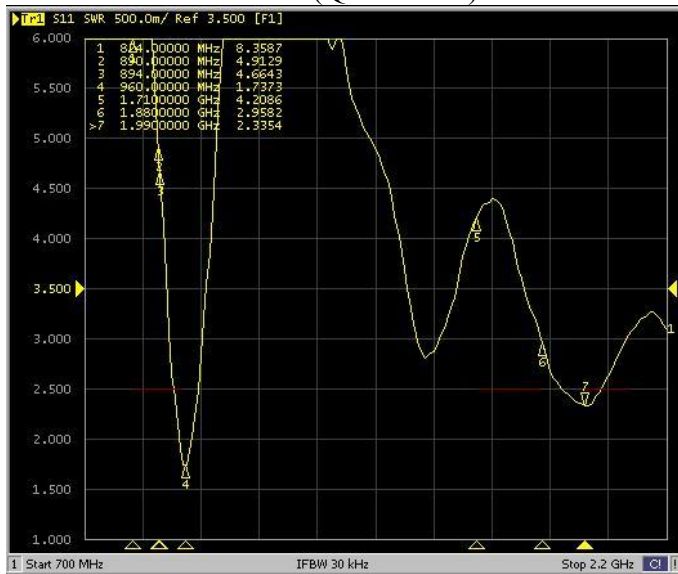
1.3. Mechanical Specifications and Dimensions

Material:	FR4
Max. dimensions:	35mm x 6mm x 0.7mm (L x W x T)
Colour:	Green mask



2. MEASUREMENT

VSWS (Quad Band)

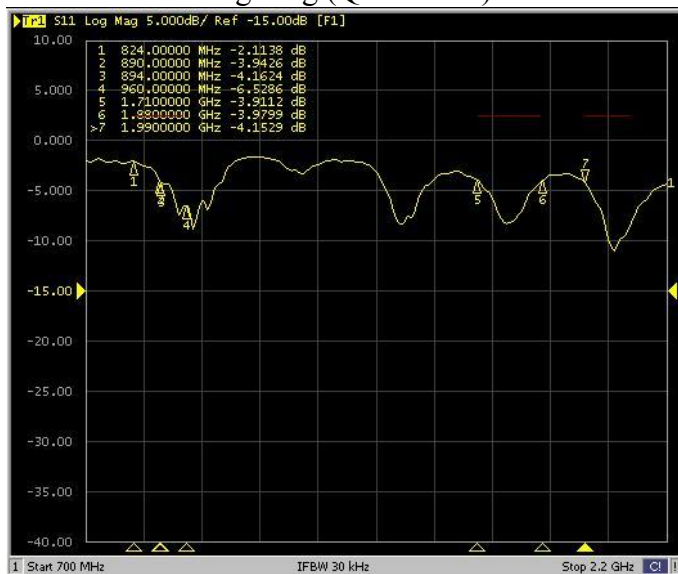


Log Mag (Quad Band)

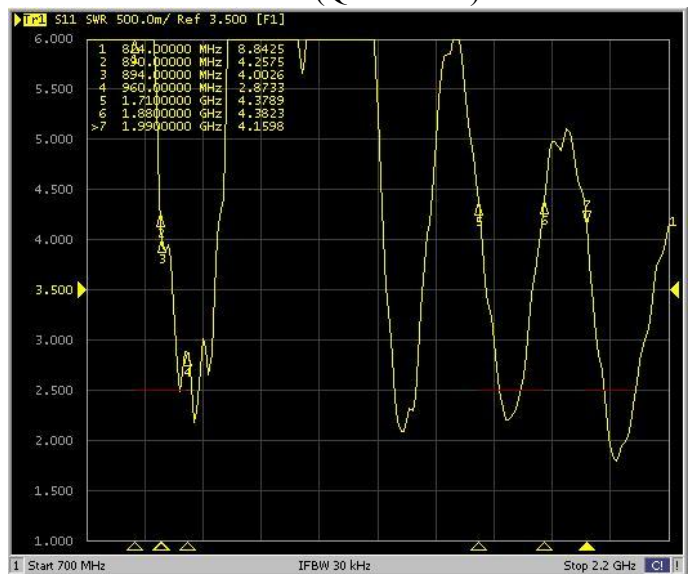


Tested with 30cm cable length - Microcoax 1,13 with U.FL

Log Mag (Quad Band)



VSWS (Quad Band)



Tested with 30cm cable length - RG174 with MMCX male

3. PICTURES

