

## 2JW0924-C952B

CELLULAR / LTE Connector Mount

### Key Features

CELLULAR / LTE

- 698-960 MHz

- 1710-2170 MHz

- 2500-2700 MHz

Connector Mount

Ultra Wide band Antenna

High Performance

Ground Plane Independent

Hinged Connector

Dimensions 170 × 18 × 10 mm



## 1. Antenna and electrical specifications

Parameters	CELLULAR / LTE Antenna		
<b>Standards</b>	2G,3G and 4G		
<b>Technologies</b>	GSM, CDMA, DCS, PCS, GPRS, WCDMA, UMTS, HSPA, EVDO and LTE		
<b>Band (MHz)</b>	700/850/900	1710/1800/1900/2100	2600
<b>Frequency (MHz)</b>	698-960	1710-2170	2500-2700
<b>Return Loss (dB)</b>	~-12.6	~-14.8	~-16.8
<b>VSWR</b>	~1.7:1	~1.5:1	~1.3:1
<b>Efficiency (%)</b>	~54	~60	~67
<b>Peak Gain (dBi)</b>	~-0.6	~-2.6	~-2.3
<b>Average Gain (dB)</b>	~-2.7	~-2.1	~-1.7
<b>Impedance (Ohm)</b>	50		
<b>Polarisation</b>	Linear		
<b>Radiation Pattern</b>	Omni-Directional		
<b>Max. Input Power (W)</b>	25		
<b>Connector Type</b>	SMA-Male		

### Antenna Measurement Conditions:

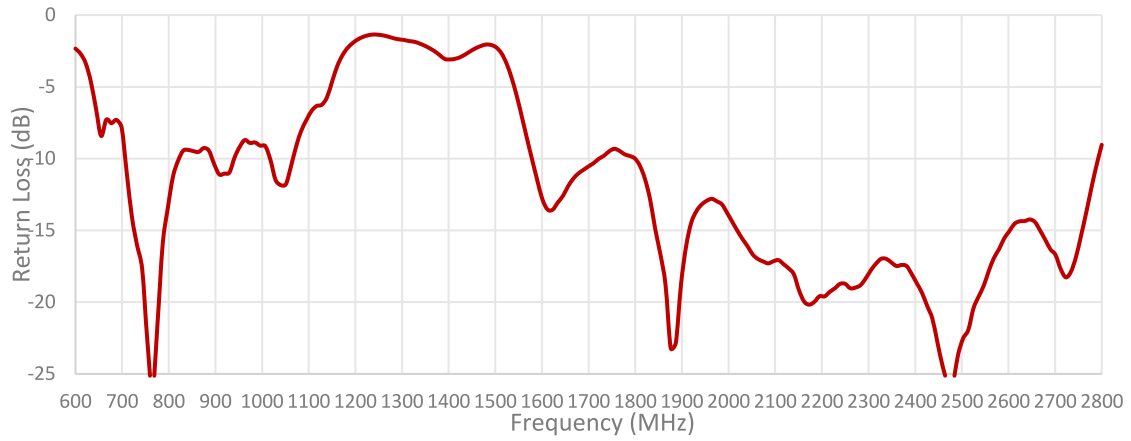
Free Space

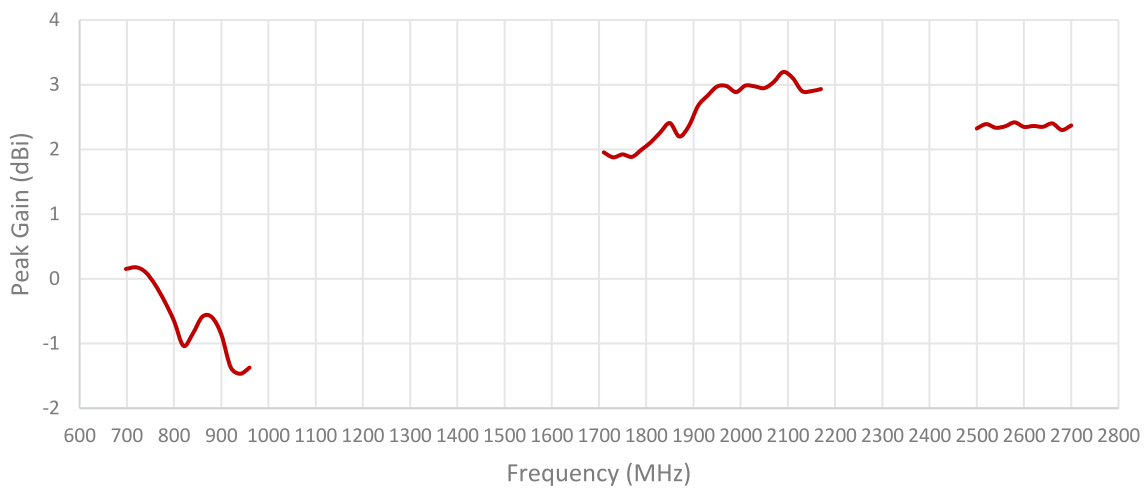
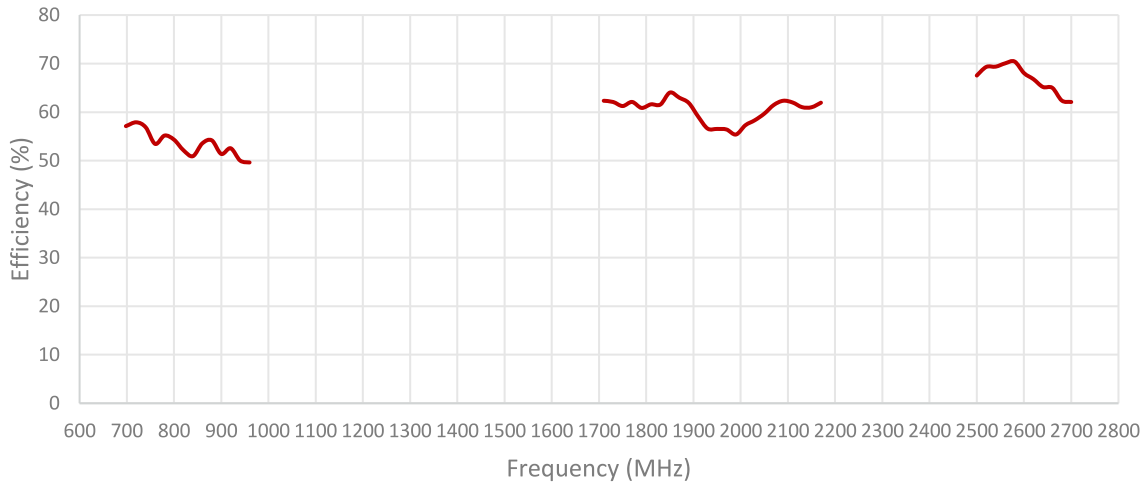
Measured in Certified CTIA 3D Anechoic Chamber

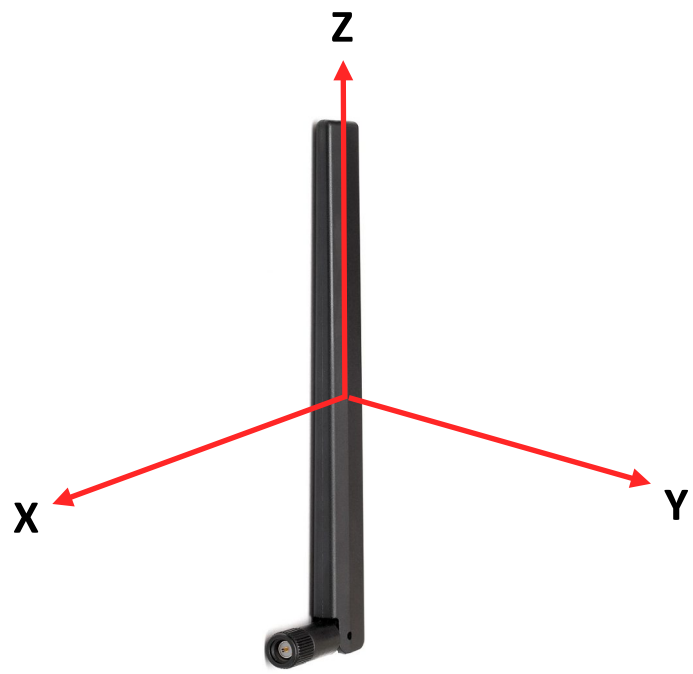
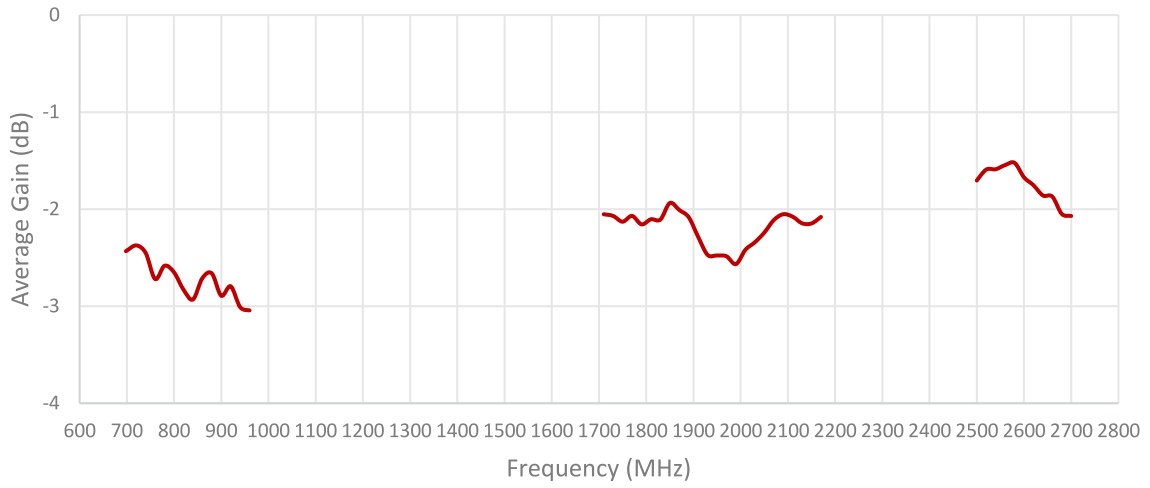
## 2. Mechanical and environmental specifications

Specifications	2JW0924-C952B
<b>Mounting Type</b>	Connector Mount
<b>Dimensions (mm)</b>	170 ×18 ×10
<b>Radome</b>	PC/ABS UV Stable
<b>Radome color</b>	Black
<b>Connector Feature</b>	Hinged
<b>Operating Temperature (C)</b>	-40 to +85
<b>Storage Temperature (C)</b>	-40 to +85
<b>Substance Compliance</b>	RoHS

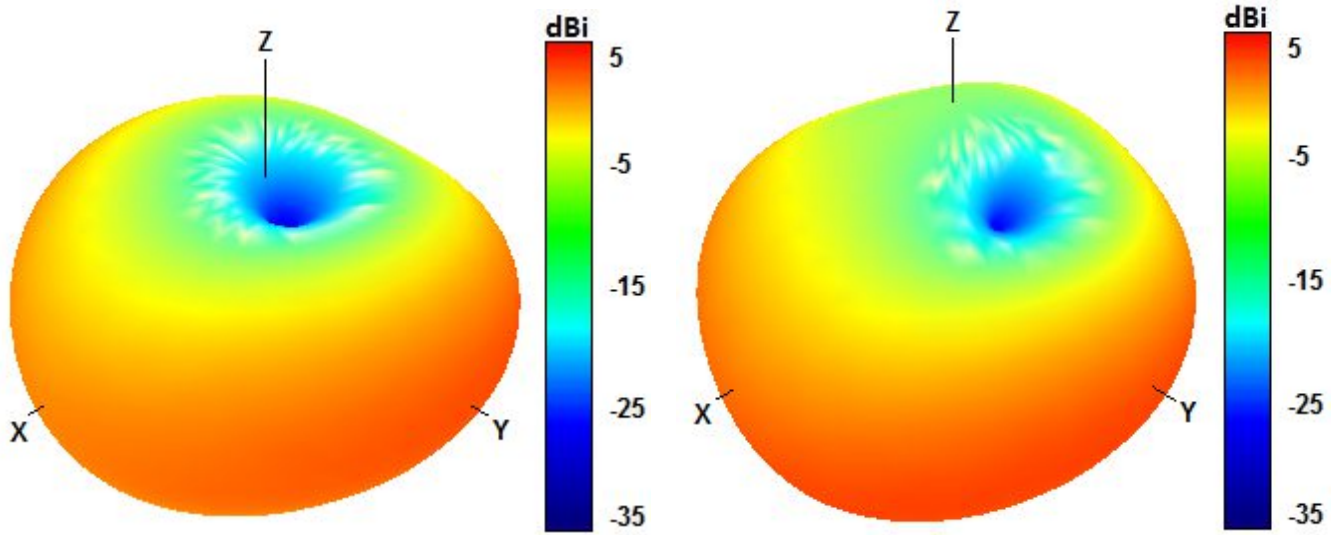
### 3. Antenna parameters



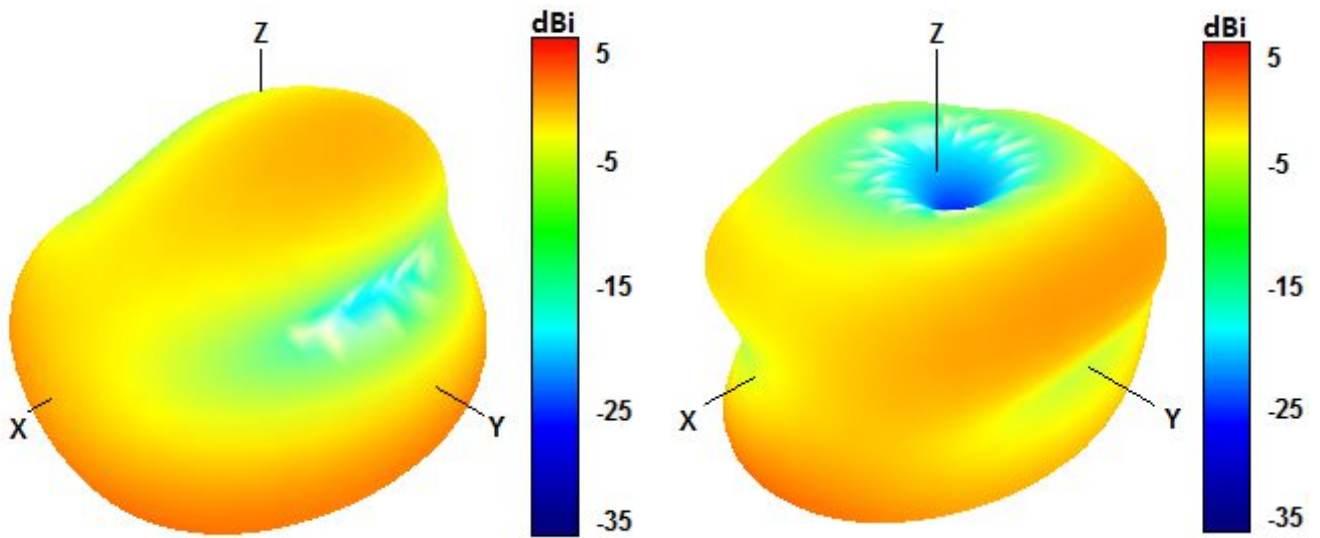




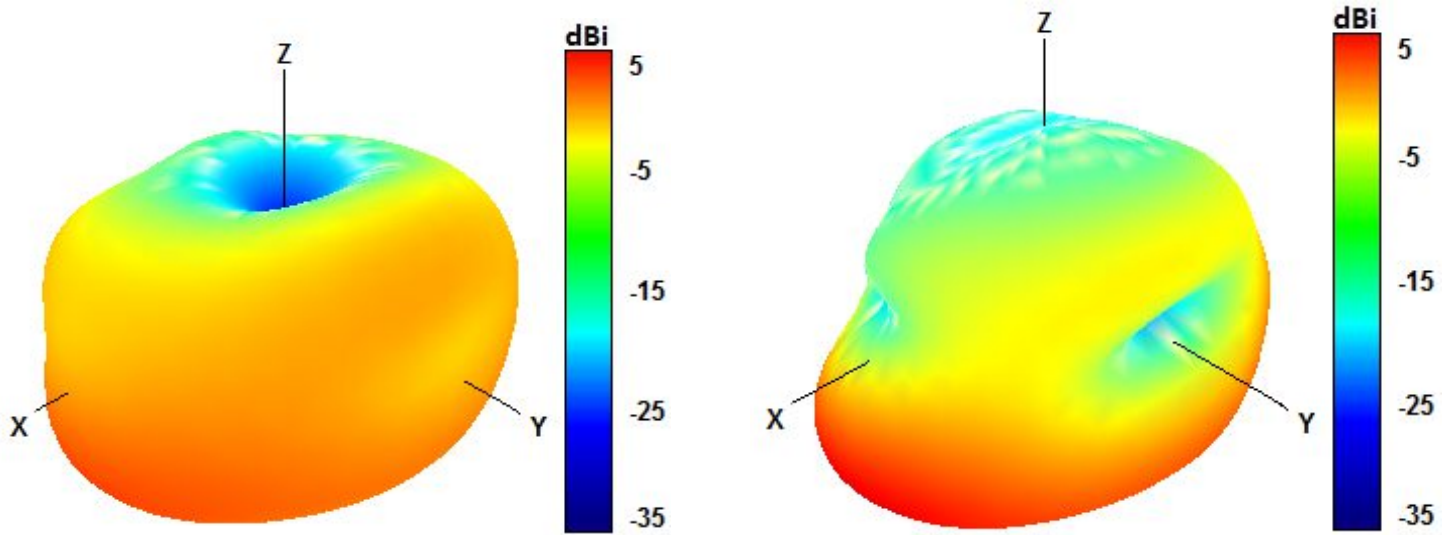
Radiation pattern reference



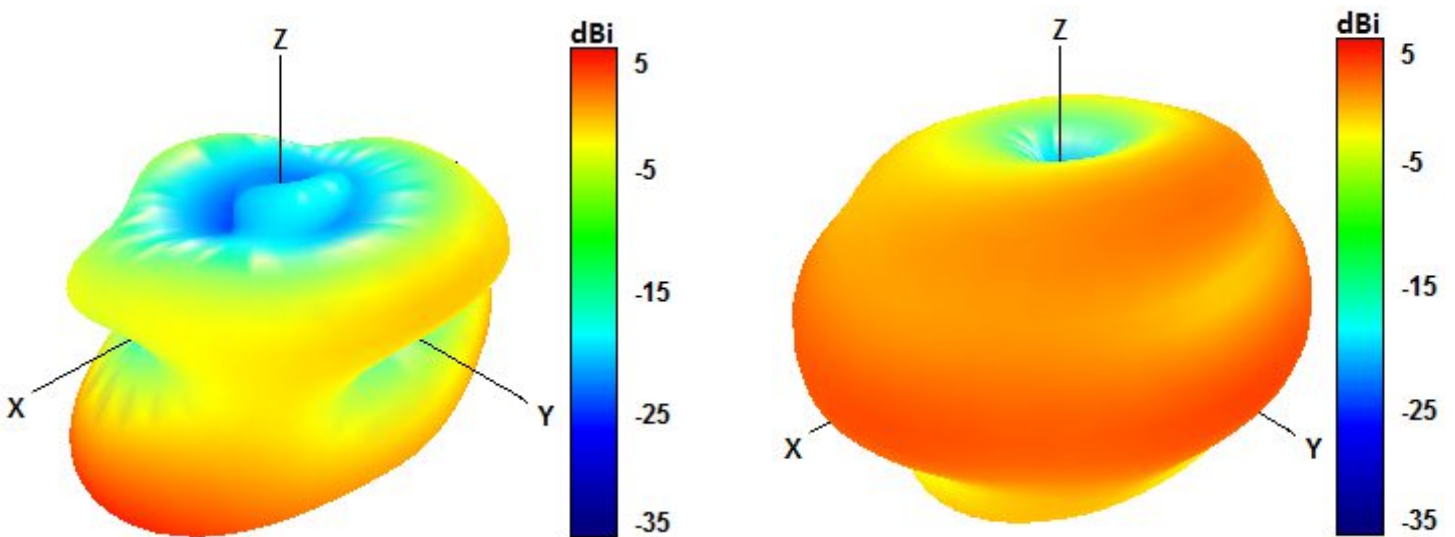
750 and 850 MHz Radiation pattern



940 and 1750 MHz Radiation pattern



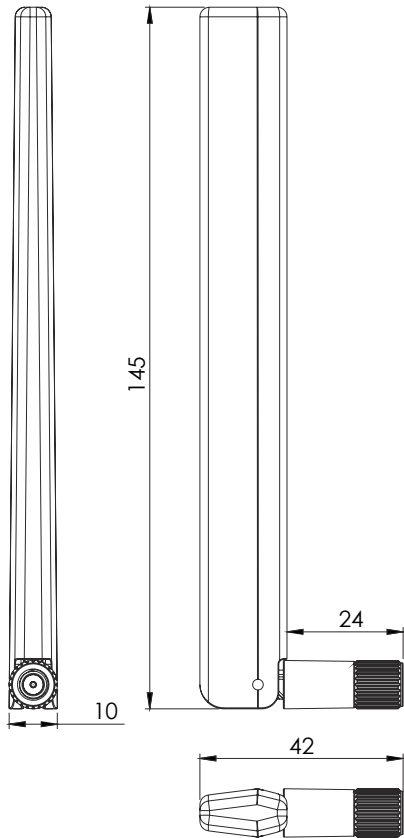
1850 and 1950 MHz Radiation pattern



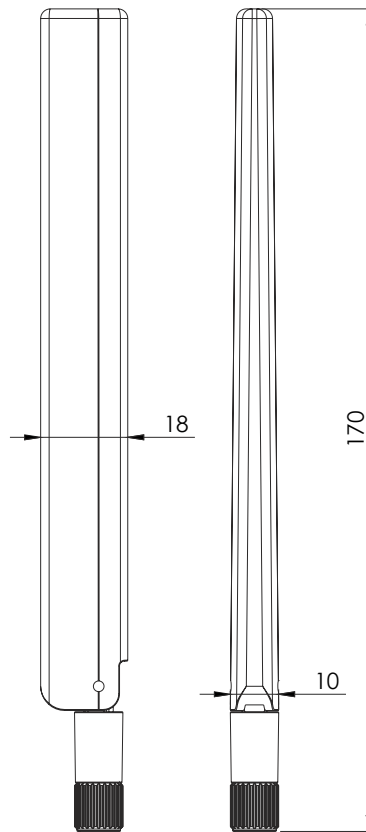
2100 and 2600 MHz Radiation pattern

## 4. Antenna drawings

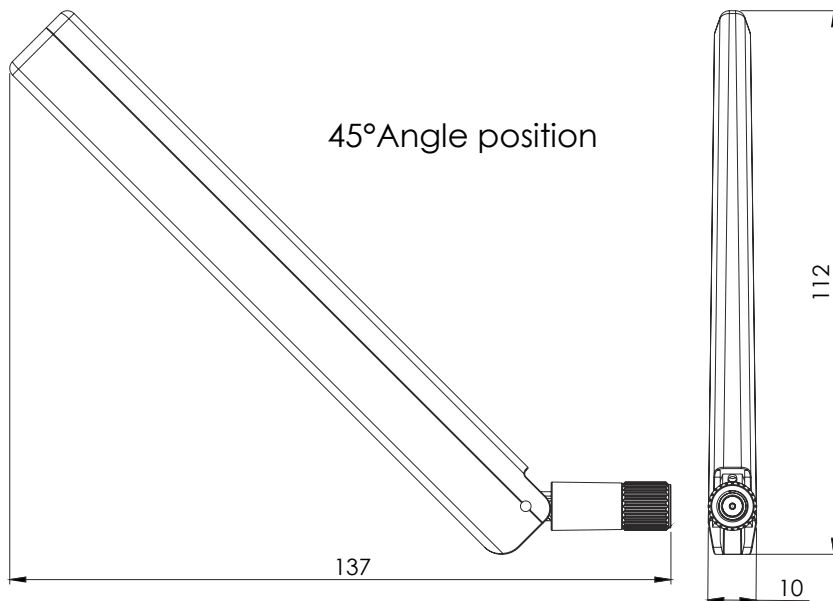
Right Angle position



Straight position



45°Angle position





## 5. Antenna Images

