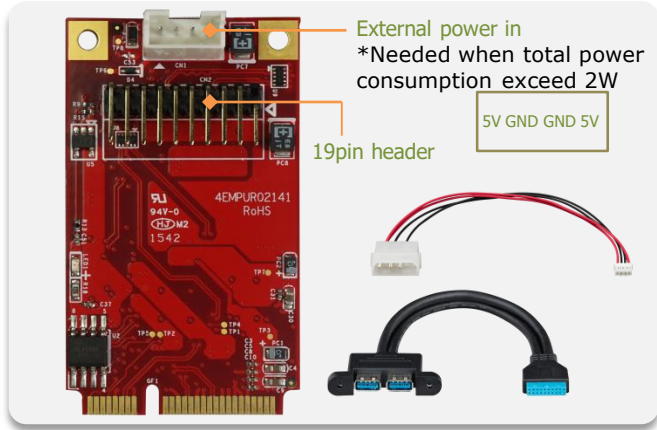


# EMPU-3201

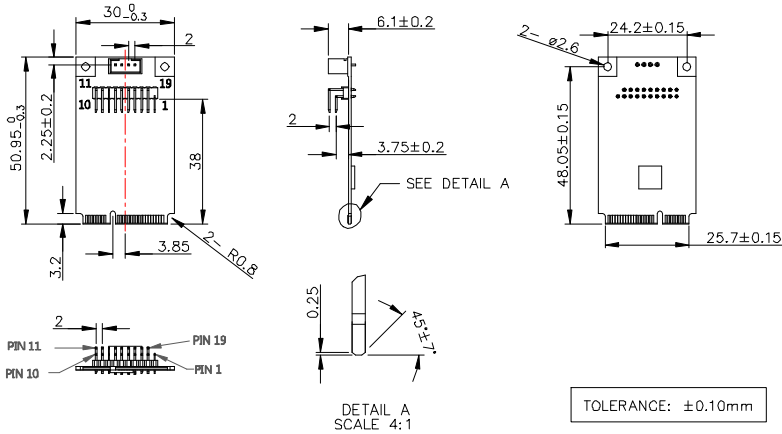
## mPCIe to dual USB 3.0 Module



### Features

- Compliant with PCI Express Base Specification Revision 2.0
- Compliant with Universal Serial Bus 3.0 Specification Revision 1.0
- Supports 2 USB 3.0 ports (share PCIe Gen2 x1 bandwidth).
- Complies with EN61000-4-2 (ESD) Air-15kV, Contact-8kV
- 30μ golden finger, 3-year warranty.
- Industrial design, manufactured in innodisk Taiwan

### Mechanical Drawing



USB 3.0 Pin Assignment

| Signal        | Pin | Pin | Signal        |
|---------------|-----|-----|---------------|
| Vbus          | 1   |     |               |
| IntA_P1_SSRX- | 2   | 19  | Vbus          |
| IntA_P1_SSRX+ | 3   | 18  | IntA_P1_SSRX- |
| GND           | 4   | 17  | IntA_P2_SSRX+ |
| IntA_P1_SSTX- | 5   | 16  | GND           |
| IntA_P1_SSTX+ | 6   | 15  | IntA_P2_SSTX- |
| GND           | 7   | 14  | IntA_P2_SSTX+ |
| IntA_P1_D-    | 8   | 13  | GND           |
| IntA_P1_D+    | 9   | 12  | IntA_P2_D-    |
|               | 10  | 11  | IntA_P2_D+    |

### Specifications

|                   |   |
|-------------------|---|
| Form-Factor       | mPCIe   |
| Input I/F         | PCI Express 2.0   |
| Output I/F        | USB 3.0   |
| Output Connector  | 19 Pin header   |
| TDP               | 0.89W (3.3V x 270mA)  |
| Dimension (WxLxH) | 30.0 x 50.9 x 8.45 mm   |
| Temperature       | Operation: STD: 0°C ~ +70°C. WT: -40°C ~ +85°C<br>Storage: -55°C ~ +95°C  |
| Environment       | Vibration: 5G @7~2000Hz, Shock: 50G @ 0.5ms   |
| Notes             | Please download driver from MyInnodisk website.<br>Windows: XP(32 bit), 7(32/64 bit), Vista<br>Linux: Kernel v2.6.0, v2.6.8<br>*After Win8 and Linux Kernel v2.6.31 supports built-in xHCI 1.0. |

#### Headquarters (Taiwan)

5F., No.237, Sec. 1, Datong Rd.,  
Xizhi Dist., New Taipei City 221,  
Taiwan  
Tel: +886-2-7703-3000  
Email: sales@innodisk.com

#### Branch Offices:

##### USA

[usasales@innodisk.com](mailto:usasales@innodisk.com)  
+1-510-770-9421

##### Europe

[eusales@innodisk.com](mailto:eusales@innodisk.com)  
+31-40-3045-400

##### Japan

[jpsales@innodisk.com](mailto:jpsales@innodisk.com)  
+81-3-6667-0161

##### China

[sales\\_cn@innodisk.com](mailto:sales_cn@innodisk.com)  
+86-755-2167-3689

[www.innodisk.com](http://www.innodisk.com)

© 2018 Innodisk Corporation.  
All right reserved. Specifications  
are subject to change without  
prior notice.

November 30, 2018

### Order Information

**EMPU-3201-C1**  
mPCIe to dual USB 3.0 Module

**EMPU-3201-W1**  
mPCIe to dual USB 3.0 Module W/T